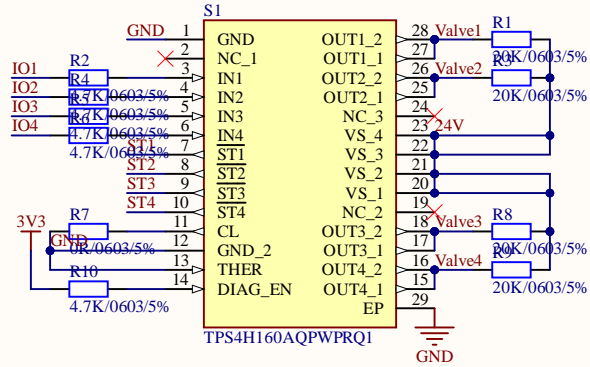
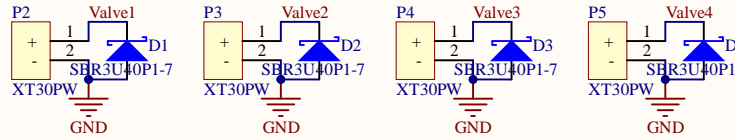


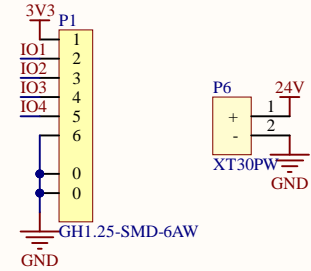
# High-Side Switch



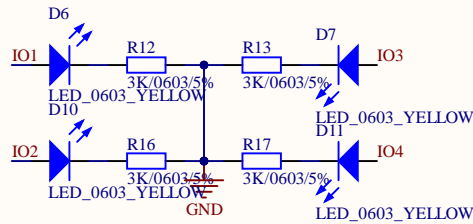
# Actuator Connector



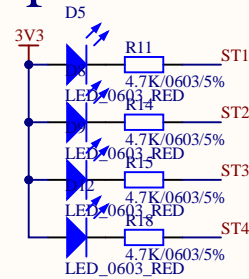
# Signal Input



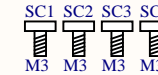
# Signal Indicate



# Output Indicate



# Fixing Hole



Title			HWSD-ACTR Series-High-Side Switch		
Size	Number		Revision		V2.2
A4					
Date:	10/31/2021	Sheet of			
File:	C:\Users\...\HWSD-High-Side Switch SCH	Drawn By:		ASR-Crash	